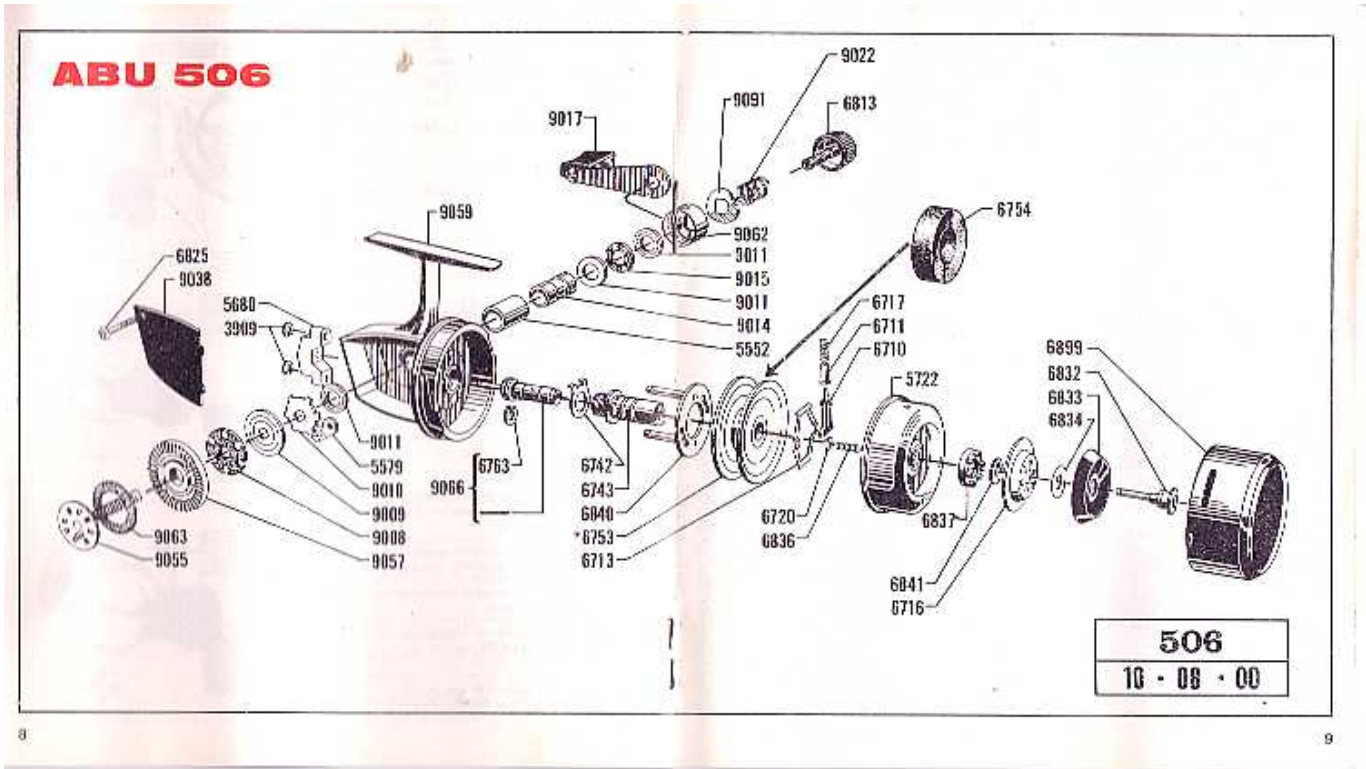


Instant Fisherman Manuall



DOWNLOAD: <https://tinurli.com/29utgt>

Download

7c2bc87b77

[Avira Phantom VPN Pro 6.15.5.29838 Crack 64 bit](#)
[Wings Over Africa Full Movie Hd Download](#)
[CRACK Mercedes Xentry 01.2014 DELL D630 D620 E5500 Pre-Installed Image](#)
[Little Monsters 1989 1080p Torrent](#)
[GLAY, DRIVE GLAY Complete BEST Full Album 311](#)

[Talaash Full Movie Free Download In 3gp](#)

[dfs cdma tool v.3.1.0.1.12](#)
[download idm ban moi nhat khong can crack](#)
[chand ke paar chalo full movie download free](#)
[Bloons TD Battles - Club Starter Pack full crack \[full version\]](#)